



INNOVATIONS FOR LIVING®

Bold Contrast. Deep Dimension. **TruDefinition®**



TruDefinition® Oakridge® Driftwood†





## Two beautiful ways to enjoy truly extraordinary color.

At Owens Corning Roofing, TruDefinition® is our color design platform trademark on shingles that are specially formulated to capture the bright, vibrant hues and deep, dramatic shades that showcase the aesthetic appeal of your home. And now, you can enjoy truly bold contrast and rich, deep dimension with TruDefinition® Oakridge® Shingles as well as TruDefinition® Duration® Shingles with patented SureNail® Technology. Both shingle choices use multiple-granule colors and shadowing to provide a spectacular look that will enhance your home and complement its natural surroundings. So no matter which shingle is right for your home, you'll never have to compromise on color.

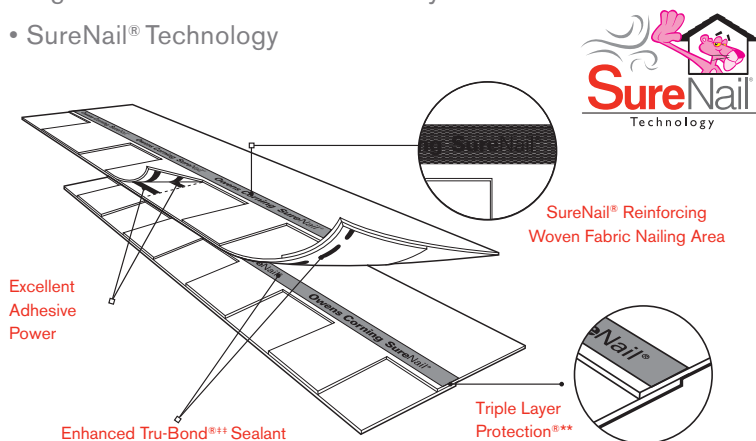


TruDefinition® **Duration®**  
Brownwood†

### TruDefinition® **Duration®** Shingles with patented SureNail® Technology

TruDefinition® Duration® Shingles feature our patented SureNail® Technology – a technological breakthrough in roofing that adds the strength of Triple Layer Protection® to your roof.

- Limited Lifetime Warranty\*/†† (for as long as you own your home)
- 130-MPH Wind Resistance Limited Warranty\*
- Algae Resistance Limited Warranty\*
- SureNail® Technology



### TruDefinition® **Oakridge®** Shingles

TruDefinition® Oakridge® Shingles feature the bold contrast and deep dimension of TruDefinition® color in a shingle that provides a beautiful step up from traditional three-tab shingles.

- Limited Lifetime Warranty\*/†† (for as long as you own your home)
- 110-/130†-MPH Wind Resistance Limited Warranty\*
- Algae Resistance Limited Warranty\*

\* See actual warranty for complete details, limitations and requirements.

† Owens Corning strives to accurately reproduce photographs of shingles. Due to manufacturing variances, the limitations of the printing process and the variations in natural lighting, actual shingle colors and granule blends may vary from the photo. The pitch of your roof can also impact how a shingle looks on your home. We suggest that you view a roofing display or several shingles to get a better idea of the actual color. To accurately judge your shingle and color choice, we recommend that you view it on an actual roof with a pitch similar to your own roof prior to making your final selection. Color availability subject to change without notice. Ask your professional roofing contractor for samples of colors available in your area.

†† 40-Year Limited Warranty on commercial projects.

‡ 130 MPH is applicable only with 6-nail application and Owens Corning™ Starter Shingle products application along eaves and rakes in accordance with installation instructions.

\*\* This illustration depicts *Triple Layer Protection* and the amount of *Triple Layer Protection* may vary on a shingle-to-shingle basis.

‡‡ *Tru-Bond* is a proprietary premium weathering-grade asphalt sealant that is blended by Owens Corning Roofing & Asphalt, LLC.  
SureNail Technology U.S. Patent 7,836,654 and other patents pending.  
ENERGY STAR and the ENERGY STAR mark are registered trademarks of the U.S. Environmental Protection Agency.



TruDefinition® **Duration**®  
Estate Gray†



TruDefinition® **Oakridge®** and  
TruDefinition® **Duration®** colors

Desert Tan†



Brownwood†



Teak†



Driftwood†



Estate Gray†



Onyx Black†



Additional  
TruDefinition® **Duration®** colors

Amber†



Sierra Gray†



Shasta White†



Colonial Slate†



Harbor Blue†



Chateau Green†



Terra Cotta†



# TruDefinition® Duration®

## Product Attributes

### Warranty Length\*

Limited Lifetime\*\* (for as long as you own your home)

### Wind Resistance Limited Warranty\*

130 MPH

### Algae Resistance Limited Warranty\*

10 Years

### Tru PROtection® Non-Prorated Limited Warranty\* Period

10 Years

## Product Specifications

Nominal Size	13¼" x 39⅜"
Exposure	5⅝"
Shingles per Square	64
Bundles per Square	3
Coverage per Square	98.4 sq. ft.

## Applicable Standards and Codes

ASTM E 108, Class A Fire

ASTM D 3462

ASTM D 3161, Class F Wind

ASTM D 228

ASTM D 7158, Class H Wind

UL 790, Class A

ASTM D 3018, Type 1

# TruDefinition® Oakridge®

## Product Attributes

### Warranty Length\*

Limited Lifetime\*\* (for as long as you own your home)

### Wind Resistance Limited Warranty\*

110/130 MPH†

### Algae Resistance Limited Warranty\*

10 Years

### Tru PROtection® Non-Prorated Limited Warranty\* Period

10 Years

## Product Specifications

Nominal Size	13¼" x 39⅜"
Exposure	5⅝"
Shingles per Square	64
Bundles per Square	3
Coverage per Square	98.4 sq. ft.

## Applicable Standards and Codes

ASTM E 108, Class A Fire

ASTM D 3462

ASTM D 3161, Class F Wind

ASTM D 228

ASTM D 7158, Class H Wind

UL 790, Class A

ASTM D 3018, Type 1




## Total Protection Roofing System™ Working together to help protect and enhance your home.



It takes more than just shingles  
to protect your home. The Total

Protection Roofing System™<sup>1</sup> is made up of all the essential Owens Corning™ Roofing components and layers that are designed to work together to maximize your roof's performance and durability. High-quality shingles and underlayment products help guard against the weather outside, while ventilation products help balance air flow to control temperature and humidity inside the attic.

The Total Protection Roofing System™<sup>1</sup> is designed to give you the assurance that all your Owens Corning™ Roofing components are working together to maximize the performance of your new roof – and to enhance the comfort and enjoyment of those who live beneath it.

- a** VentSure® Ventilation Products  
Help protect a roof from premature failure by helping remove heat and moisture from the attic. 
- b** PINK® Fiberglas™ Blown-In Insulation  
Tiny air pockets trapped in the insulation resist the passage of heat flow.
- c** Owens Corning™ Hip & Ridge Shingles  
Help protect the ridge vent and add an attractive, finished look to a roof's hips and ridges.
- d** Owens Corning™ Shingles  
Add durable beauty to a home. Shingles are the first line of defense against the elements.
- e** Owens Corning™ Underlayment Products  
Add an extra layer of protection between the shingles and the roof deck to help prevent damage from wind-driven rain.
- f** WeatherLock® Self-Sealing Ice & Water Barrier Products  
Help guard vulnerable areas where water can do the most damage to a roof: eaves, valleys, dormers and skylights.
- g** Owens Corning™ Starter Shingle Products  
The first step in the proper installation of shingles.
- h** Owens Corning™ Undereave Ventilation Products  
Help prevent moisture buildup in the attic by working with ridge vents to keep air moving.
- i** Illuminator™ Tube Skylight  
A smart choice for bringing natural light into the home.

<sup>1</sup> Excludes non-Owens Corning™ Roofing products such as flashing, fasteners and wood decking.



**OWENS CORNING ROOFING AND ASPHALT, LLC**  
ONE OWENS CORNING PARKWAY  
TOLEDO, OHIO, USA 43659  
**1-800-GET-PINK®**  
**www.roofing.owenscorning.com**



Pub. No. 10017829. Printed in U.S.A. November 2012. THE PINK PANTHER™ & © 1964–2012 Metro-Goldwyn-Mayer Studios Inc. All Rights Reserved. The color PINK is a registered trademark of Owens Corning. © 2012 Owens Corning. All Rights Reserved.

Owens Corning™ Roofing Preferred Contractors are independent contractors and are neither affiliates nor agents of Owens Corning Roofing & Asphalt, LLC, or its affiliated companies. (Houston, Irving)